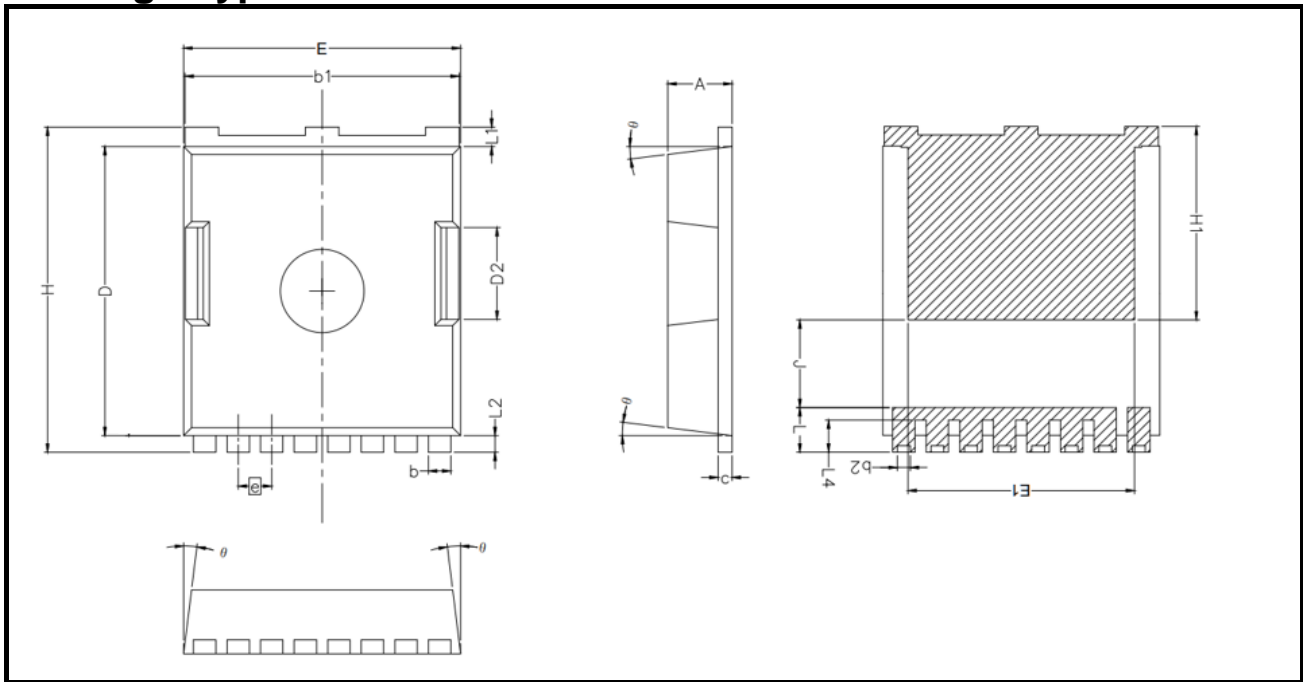


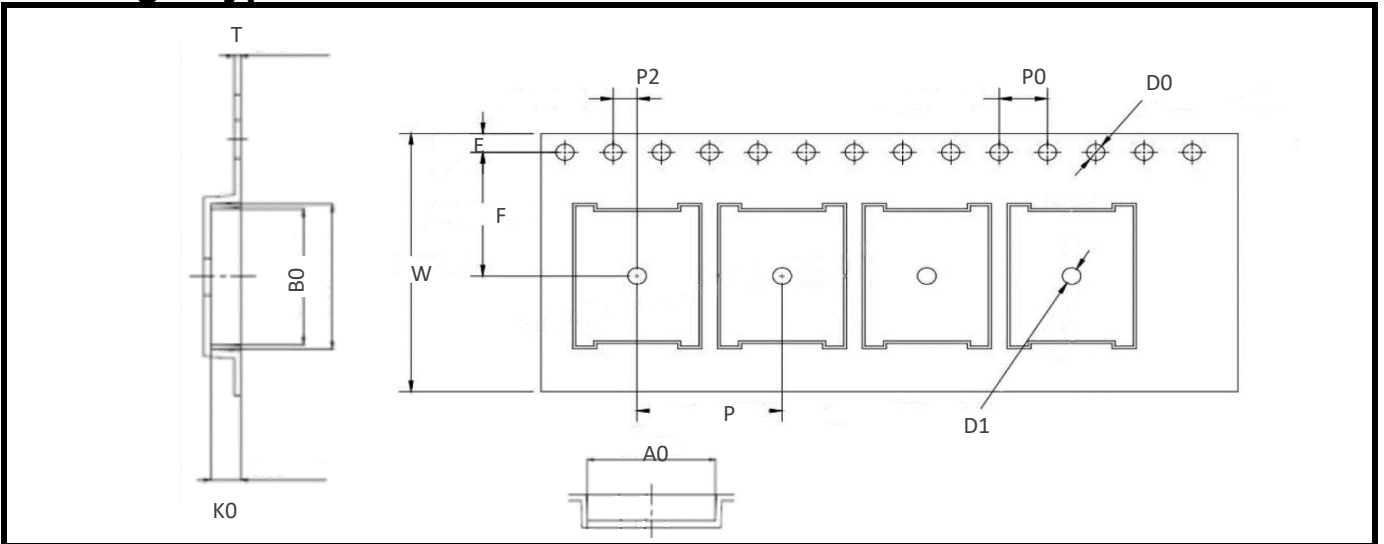
Package Type: TOLLA-8L



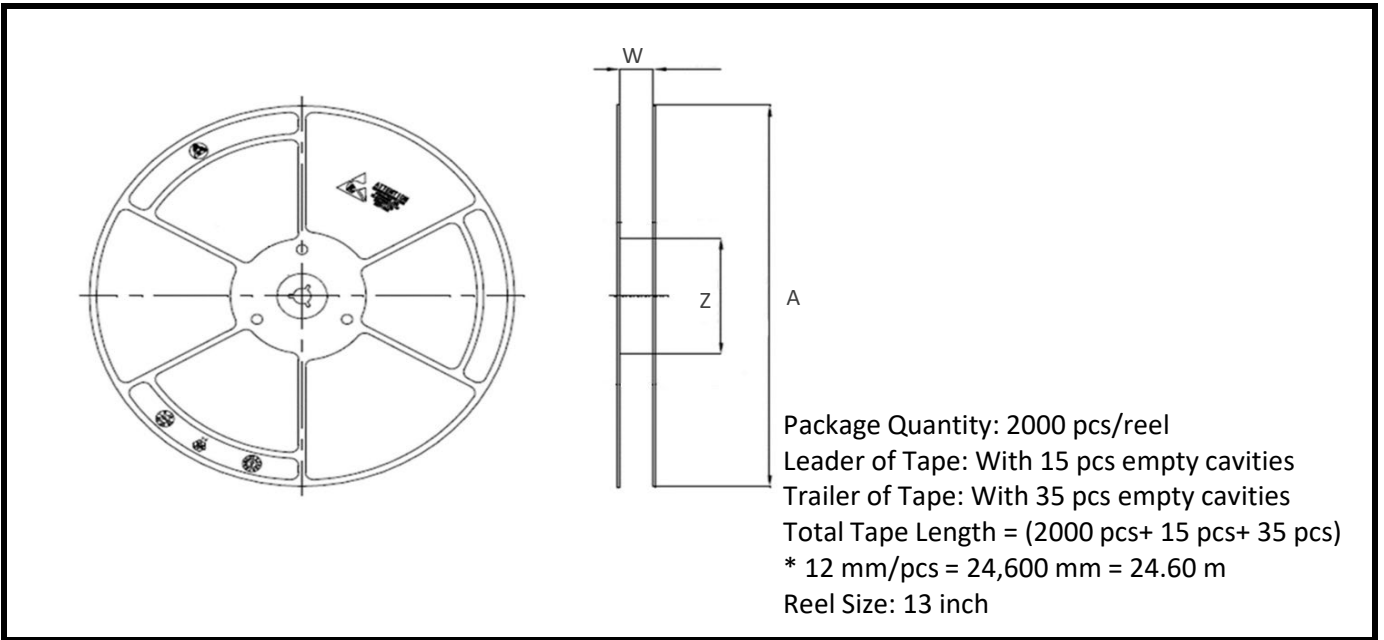
SYMBOL	Unit : mm		Unit : inch	
	MIN	MAX	MIN	MAX
A	2.200	2.400	0.087	0.094
b	0.650	0.900	0.026	0.035
b1	9.700	9.900	0.382	0.390
b2	0.300	0.500	0.012	0.020
c	0.400	0.600	0.016	0.024
D	10.280	10.580	0.405	0.417
D2	3.100	3.500	0.122	0.138
E	9.700	10.100	0.382	0.398
E1	7.900	8.300	0.311	0.327
e	1.200 BSC		0.047 BSC	
H	11.480	11.880	0.452	0.468
H1	6.750	7.150	0.266	0.281
J	3.000	3.300	0.118	0.130
L	1.400	1.800	0.055	0.071
L1	0.600	0.800	0.024	0.031
L2	0.500	0.750	0.020	0.030
L4	0.950	1.350	0.037	0.053
θ	10 ° REF		10 ° REF	

Note : Dimension D and E do not include mold flash or protrusions.
Mold flash or protrusions shall not exceed 0.25mm(10 mils).

Package Type:TOLLA-8L



SYMBOL		W	A0	B0	K0	E	F	D1	D0	P	P0	P2	T
Unit : mm	MIN	23.70	10.20	12.00	2.60	1.65	11.40	1.50	1.50	11.90	3.90	1.90	0.20
	NOR	24.00	10.30	12.10	2.70	1.75	11.50	1.50	1.50	12.00	4.00	2.00	0.30
	MAX	24.30	10.40	12.20	2.80	1.85	11.60	1.60	1.60	12.10	4.10	2.10	0.40



SYMBOL		A	Z	W
Unit : mm	MIN	328.00	99.00	-
	NOR	330.00	100.00	24.40
	MAX	332.00	101.00	-