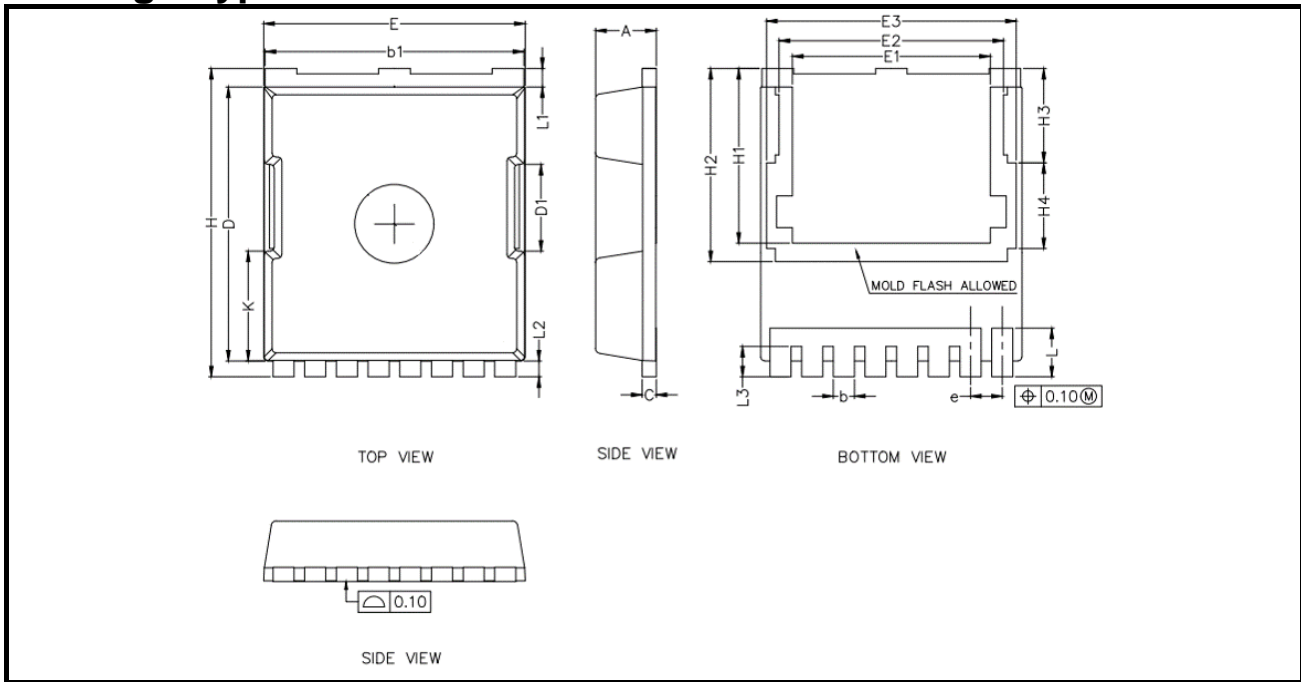


Package Outline Drawing

Version : 01

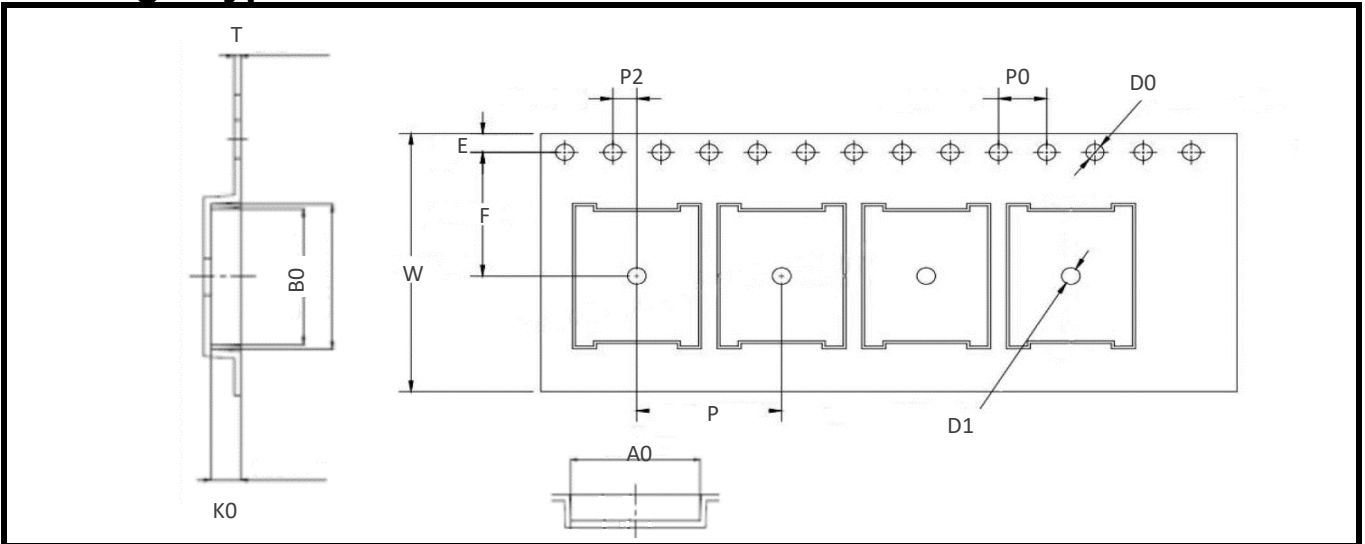
Package Type: TOLLB-8L



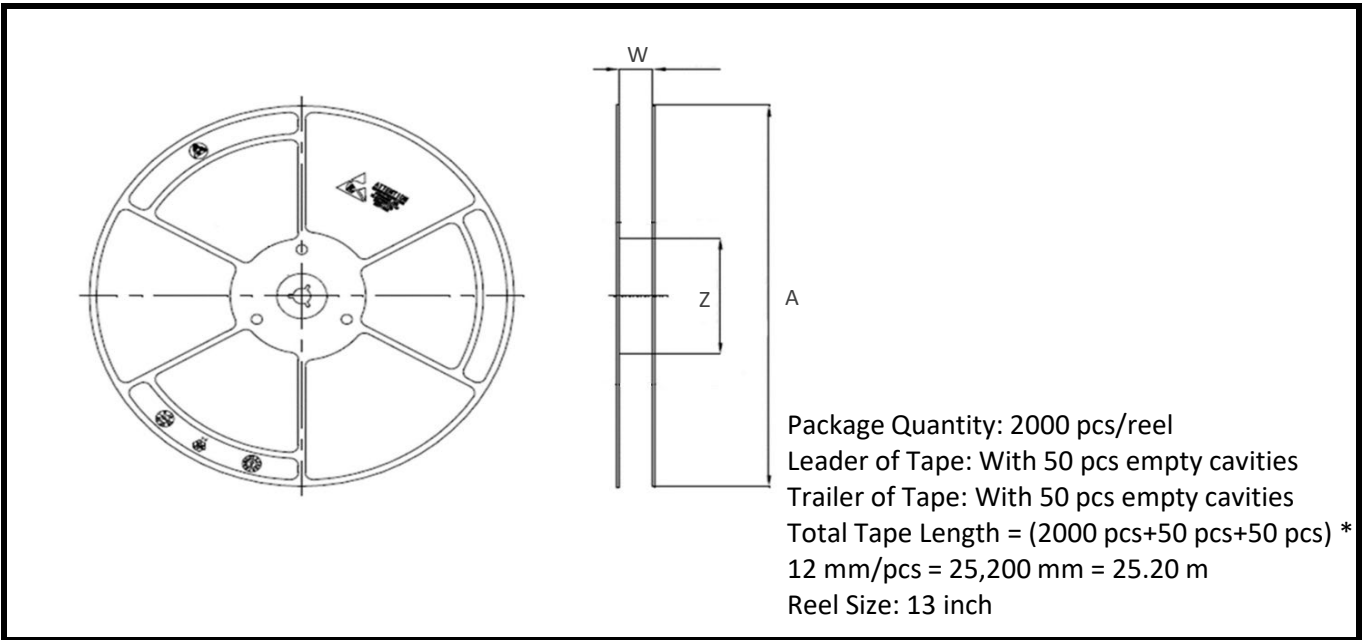
SYMBOL	Unit : mm		Unit : inch	
	MIN	MAX	MIN	MAX
A	2.200	2.400	0.087	0.094
b	0.700	0.900	0.028	0.035
b1	9.700	9.900	0.382	0.390
C	0.400	0.600	0.016	0.024
D	10.280	10.580	0.405	0.417
D1	3.150	3.450	0.124	0.136
E	9.700	10.100	0.382	0.398
E1	7.350	7.950	0.289	0.313
E2	7.650	8.650	0.301	0.341
E3	8.450	9.610	0.333	0.378
e	1.200 BSC		0.047 BSC	
H	11.480	11.880	0.452	0.468
H1	6.550	7.450	0.258	0.293
H2	7.000	7.500	0.276	0.295
H3	3.440	3.740	0.135	0.147
H4	3.110	3.950	0.122	0.156
K	4.030	4.330	0.159	0.170
L	1.600	2.100	0.063	0.083
L1	0.500	0.900	0.020	0.035
L2	0.450	0.750	0.018	0.030
L3	1.000	1.300	0.039	0.051

Note : Dimension D and E do not include mold flash or protrusions.
Mold flash or protrusions shall not exceed 0.25mm(10 mils).

Package Type:TOLLB-8L



SYMBOL		W	A0	B0	K0	E	F	D1	D0	P0	P	P2	T
Unit : mm	MIN	23.80	10.12	12.94	2.60	1.65	11.40	1.45	1.45	3.90	11.90	1.90	0.25
	NOR	24.00	10.22	13.04	2.70	1.75	11.50	1.55	1.55	4.00	12.00	2.00	0.30
	MAX	24.20	10.32	13.14	2.80	1.85	11.60	1.65	1.65	4.10	12.10	2.10	0.35



SYMBOL		A	Z	W
Unit : mm	MIN	-	-	21.20
	NOR	330.00	76.50	21.30
	MAX	-	-	21.40